



SW-SF-II MANUAL

V-1.1 November 15, 2011

www.extreme-fire.com

Introduction

The Extreme-Fire SW-SF-II is a very high power MOSFET switch with a built in thermally resetting 20A (30A) fuse.

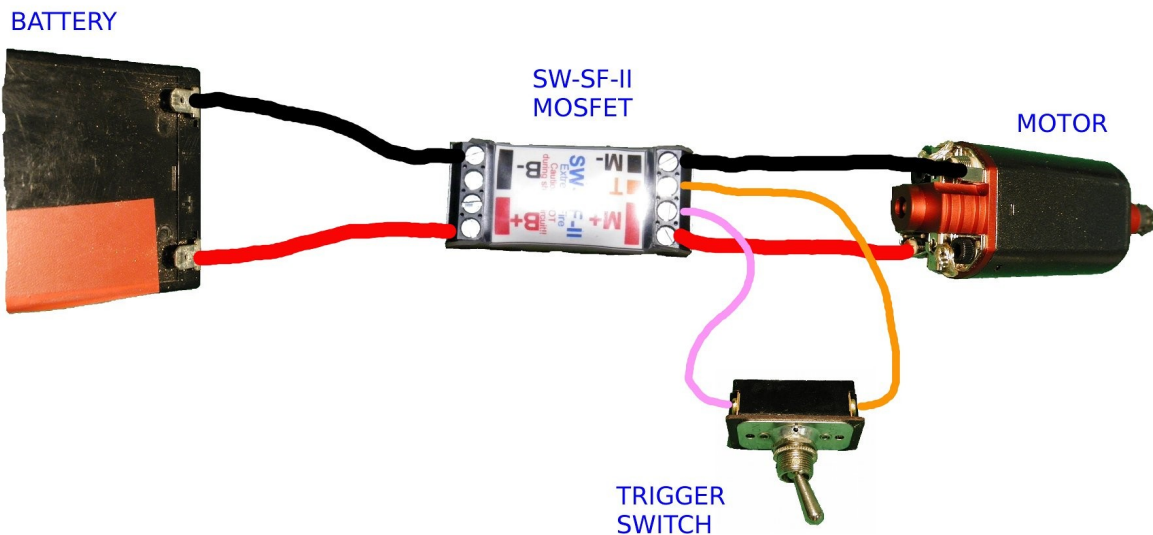
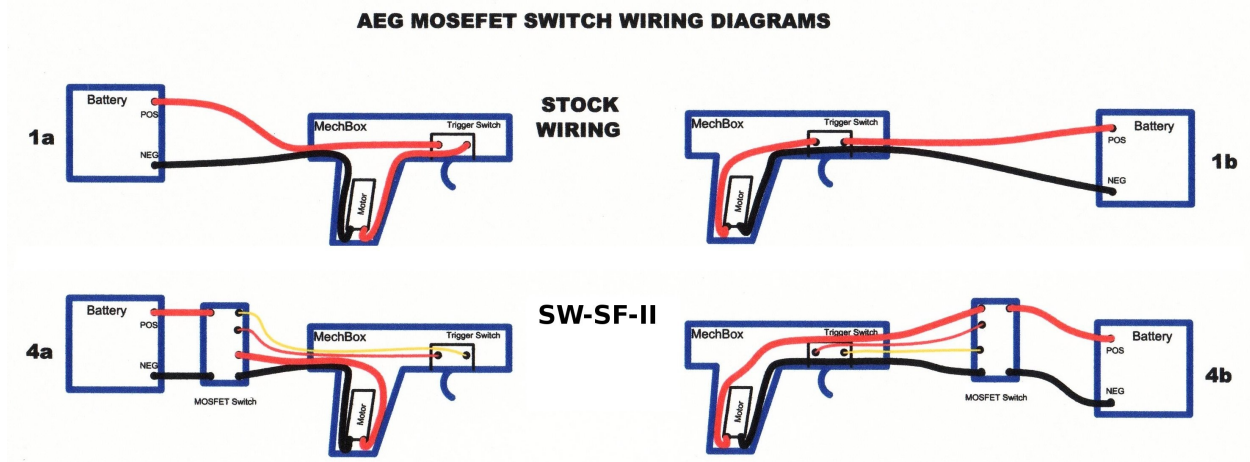
Features

- Same as SW-SF but with positive terminal connections.
- Highest power IRLS3034-7PPbF Main FET.
- Safe for up to 14.8 volt LiPO batteries.
- Very low trigger switch current (~10mA).
- 20 amp (30 amp) built in thermal fuse quickly resets once problem is removed.
- Screw clamp terminal connections make installation far easier.
- Very small and robust. Easily fits in a 0.75 inch ID tube.
- Full 5000W TVS spike and ESD protection.
- Uses no power from the battery unless the trigger is pulled.

Installation

The SW-SF-II has six wire connections. Two from the battery, two to the motor, and two to the trigger switch. The two most common installations are shown as follows.

Be sure to observe the proper polarity of the battery and motor wires!



The existing, or new, wires are connected as shown below and clamped into the terminal connectors of the SW-SF-II with a 0.1 inch screwdriver.

Note that if the internal thermal fuse is activated for an extended period of time the unit will become VERY hot (150C) which is normal. If the gun does not fire when the trigger is pulled, let go of the trigger and correct the problem. Holding the trigger down will not fix anything but might overheat something.

Specifications:

Battery Voltage	7.0 to 17.0 VDC
Current	450 amps peak 50 amps continuous (electronics)
Fuse	20 (30) amps hold - long time lag thermal
Size	1.40 x 0.60 x 0.55 inches (36 x 15 x 14 mm)
Weight	0.36 ounces (10.2 grams)

