



SW-SF MANUAL

V-1.11 March 9, 2012

www.extreme-fire.com

Introduction

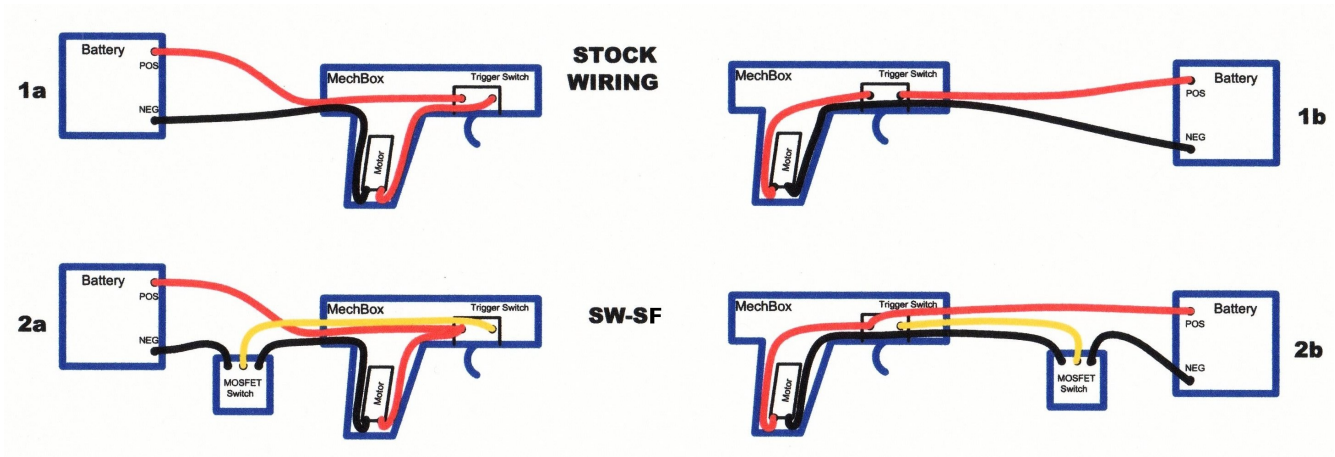
The Extreme-Fire SW-SF is a very high power MOSFET switch with a built in thermally resetting 30A fuse.

Features

- Highest power IRLS3034-7PPbF Main FET.
- Safe for up to 14.8 volt LiPO batteries.
- Very low trigger switch current (~10mA).
- 30 amp built in thermal fuse quickly resets once problem is removed.
- Screw clamp terminal connections make installation far easier.
- Very small and robust. Easily fits in a 0.75 inch ID tube.
- Full 5000W TVS spike and ESD protection.
- Uses no power from the battery unless the trigger is pulled.

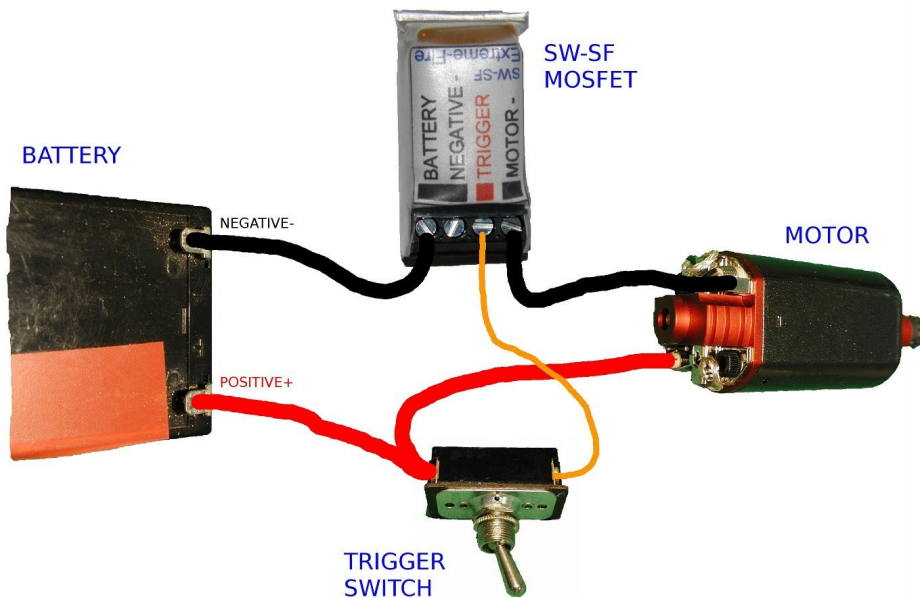
Installation

The SW-SF has three wire connections. One from the battery, one to the motor, and one to the trigger switch. The two most common installations are shown as follows.



The existing, or new, wires are connected as shown below and clamped into the terminal connectors of the SW-SF with a 0.1 inch screwdriver.

Be sure to observe the proper polarity of the battery and motor wires!



Note that if the internal thermal fuse is activated for an extended period of time the unit will become VERY hot (150C) which is normal. If the gun does not fire when the trigger is pulled, let go of the trigger and correct the problem. Holding the trigger down will not fix anything but might overheat something.

Specifications:

Battery Voltage	7.0 to 17.0 VDC
Current	450 amps peak 50 amps continuous (electronics)
Fuse	30 amps hold - long time lag thermal
Size	0.60 wide x 0.58 high x 1.10 long inches (15.3 x 14.7 x 28.0 mm)
Weight	0.27 ounces (7.6 grams)

